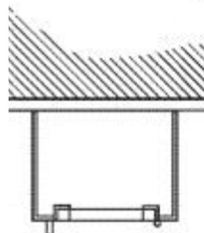
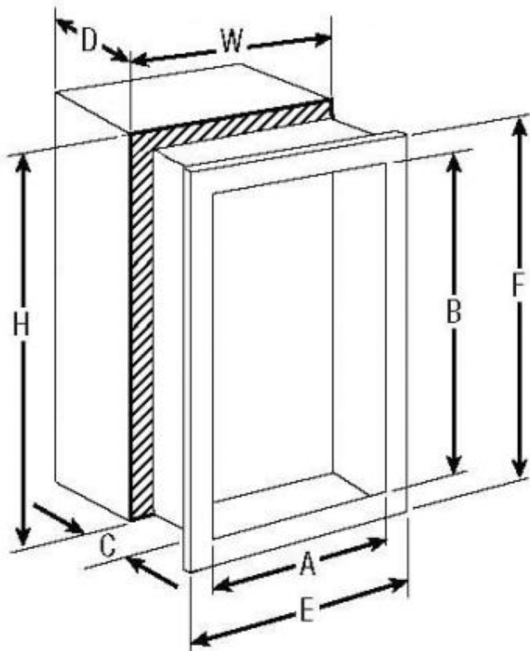


SURFACE MOUNTED SUBMITTAL : DIMENSIONS

DOOR SERIES #	Tub I.D.			Frame O.D.		Wall Opening		
Model	A	B	C	E	F	W	H	D
10x3	13-11/16	27 3/16	6-1/2	13 7/8	27 3/8			
20x3	15-3/16	30-3/16	8-1/4	15 3/8	30 3/8			



**Square Edge
Surface Mt.**

